

FJ9S SERIES THREE-AXIS HAND OPERATED JOYSTICK

FJ9S系列
指尖型三轴操作手柄

产品特点 Product Features

- Based on ergonomic principles, modeling small and operation comfortable.
- Fingertip operation, Spring return.
- three-axis large operating angle in any direction.
- handle top with dual button at most.
- RS232 or USB connector output is selectable.



应用范围 Application

Typical application on Video control equipment, electric wheelchairs and medical equipment.

技术参数 Technical Information

Mechanical Features

Travel angle	about $\pm 28^\circ$ (XY axis) about $\pm 42^\circ$ (Z axis)
Operating type	Spring return
Break Out force	3N
Operating force (max)	8N
Maximum allowable force	>300N
Expected life	>2Million (XY axis) >2Million (Z axis)
Weight	about 143.5g

Environmental data

Operating temperature	-30°C ~ +70°C
Storage temperature	-40°C ~ +85°C
Protection level	IP65 (Above the flange)

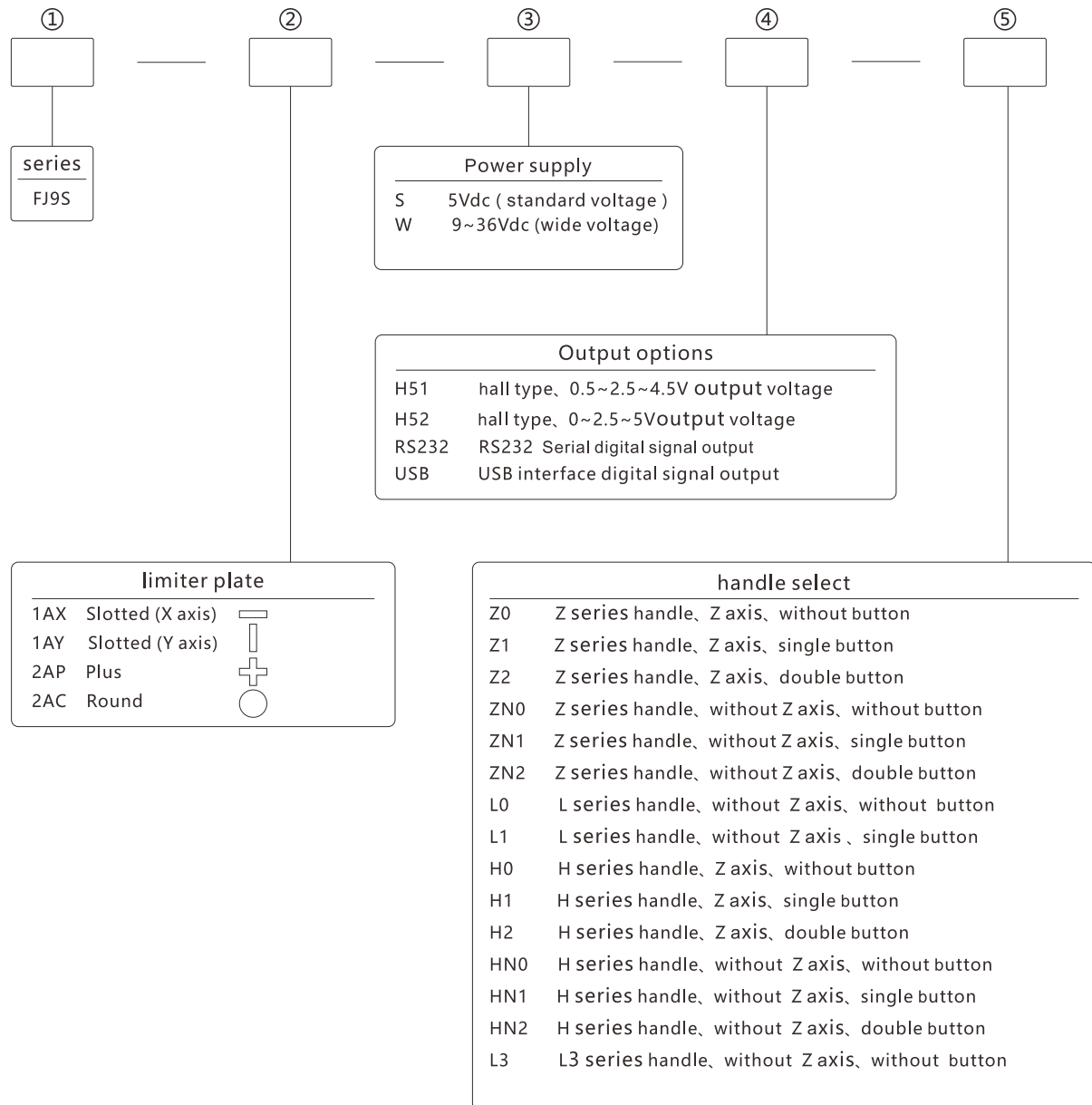
Electrical data

Power supply	5 \pm 0.5Vdc (standard voltage) 9~36Vdc (wide voltage)
Maximum supply current	22mA (XY axis) 33mA (Z axis)
Maximum allowable overload voltage	20Vdc
Reverse maximum allowable voltage	-10Vdc
load resistance	10K Ω
Center output voltage	2.5 \pm 0.1Vdc
Output linearity tolerance	< \pm 0.2V



FJ9S SERIES THREE-AXIS HAND OPERATED JOYSTICK

产品选型 Product Configuration

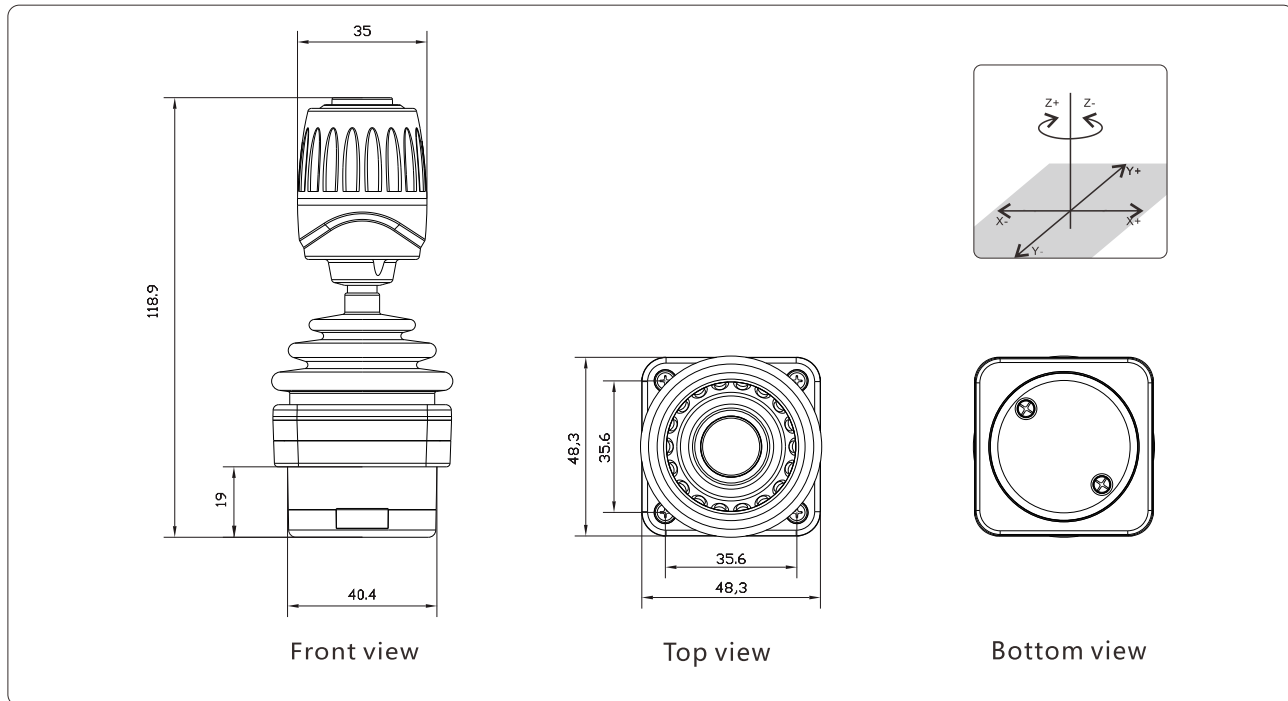


※ Note : Three-axis products only Z series handles and H series handles are available.

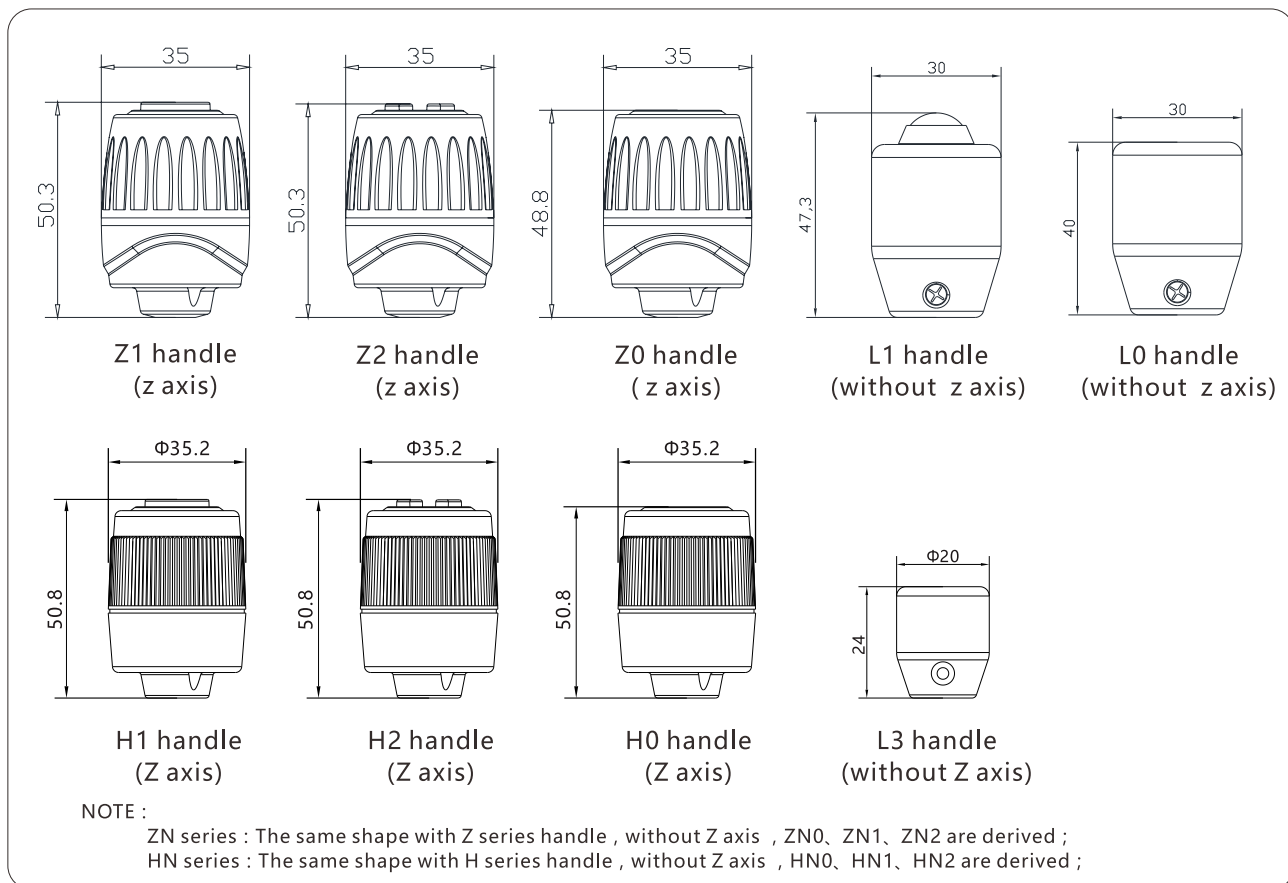


FJ9S SERIES THREE-AXIS HAND OPERATED JOYSTICK

外形尺寸 Dimensions

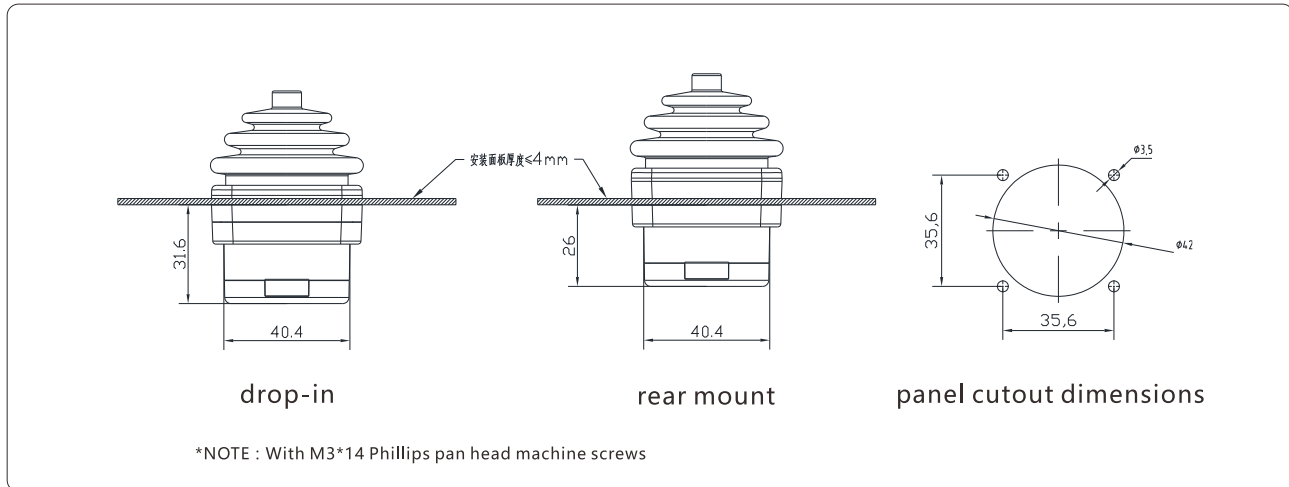


手柄上端 Handle



FJ9S SERIES THREE-AXIS HAND OPERATED JOYSTICK

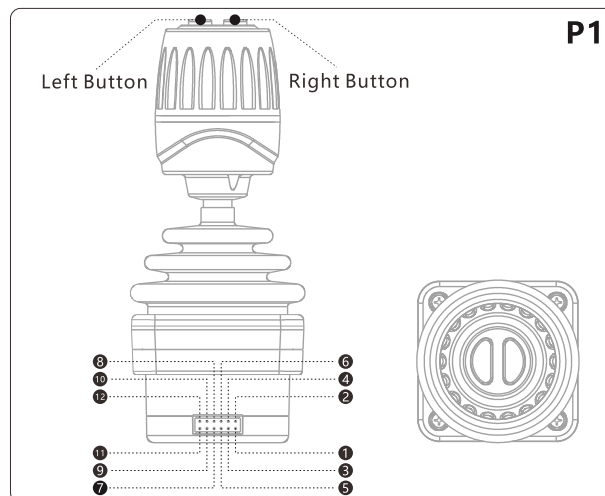
机械安装 Product Installation



电气安装 Electrical Connections

output harness type 1 (default)

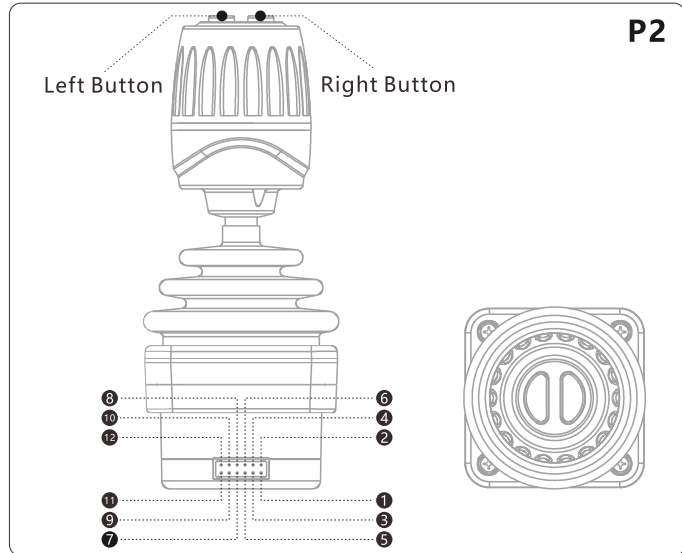
8-Pin Connector		
Pin	Hall	Colour
1	GND	black
2	DC5V	red
3	X out	yellow
5	Y out	green
7	Z out	blue
9	Left button	Brown
10	Button com	White
11	Right button	Purple



FJ9S SERIES THREE-AXIS HAND OPERATED JOYSTICK

output harness type 2 (without line)

12-pin connector		
Pin	Hall	Colour
1	GND	black
2	NA	NA
3	AY out	yellow
4	AX out	yellow/white
5	BY out	Green
6	BX out	Green/white
7	AZ out	Blue
8	BZ out	Black/white
9	Left button	Brown
10	Button com	white
11	Right button	Purple
12	DC5V	Red



握杆型

指尖型

手柄上端

USB



RS232 (with RS232 output PCB)

8-Pin Connector		
Pin	Hall	Colour
1	GND	black
2	VCC	red
3	X out	yellow
5	Y out	green
7	Z out	blue
9	Left button	Brown
10	Button com	White
11	Right button	Purple

